

Distributed by

## Japan Quality

IBL has maintained ISO13485 certification since 2009. All our antibodies and ELISA products are manufactured and controlled in-house at our head office and main laboratory located in Japan. We are proud and confident in the quality of our products and services.



IBL carefully conducts all processes of antibody development with the utmost attention to the process of selecting sequence, immunization, screening, and cloning to find the best antibodies for a particular purpose. Our mission is to consistently supply quality products that are both highly specific and sensitive.

IBL has an extensive global supply network.

Please feel free to contact us Email: [do-ibl@ibl-japan.co.jp](mailto:do-ibl@ibl-japan.co.jp) if you have any questions.



Immuno-Biological Laboratories Co., Ltd. (IBL) Head Office (Main Laboratory)

1091-1 Naka Aza-Higashida, Fujioka-Shi, Gunma 375-0005, JAPAN  
TEL : +81 (274) 22 2889 FAX : +81 (274) 23 6055  
Email : [do-ibl@ibl-japan.co.jp](mailto:do-ibl@ibl-japan.co.jp) URL : <https://www.ibl-japan.co.jp/en/>

# Aging, Neurodegenerative

Alzheimer's disease (AD) etc.

- APP
- Amyloid  $\beta$
- Tau
- $\alpha$ -Klotho

Unique & Niche, Antibody & ELISA

# ELISA Aging, Neurodegenerative Alzheimer's disease (AD) etc.

IBL started to focus on research and development in Alzheimer's disease (AD) around 1995. Since that time we have been lining up ELISA and antibody products that detect important proteins in relation to "the amyloid hypothesis" such as Amyloid-beta Precursor Protein (APP), Amyloid $\beta$  and Tau protein. IBL has been manufacturing and supplying these products for over 20 years.



ELISA

- Reliable Quality
- Consistency & Accuracy
  - Stable Supply
  - Professional Support

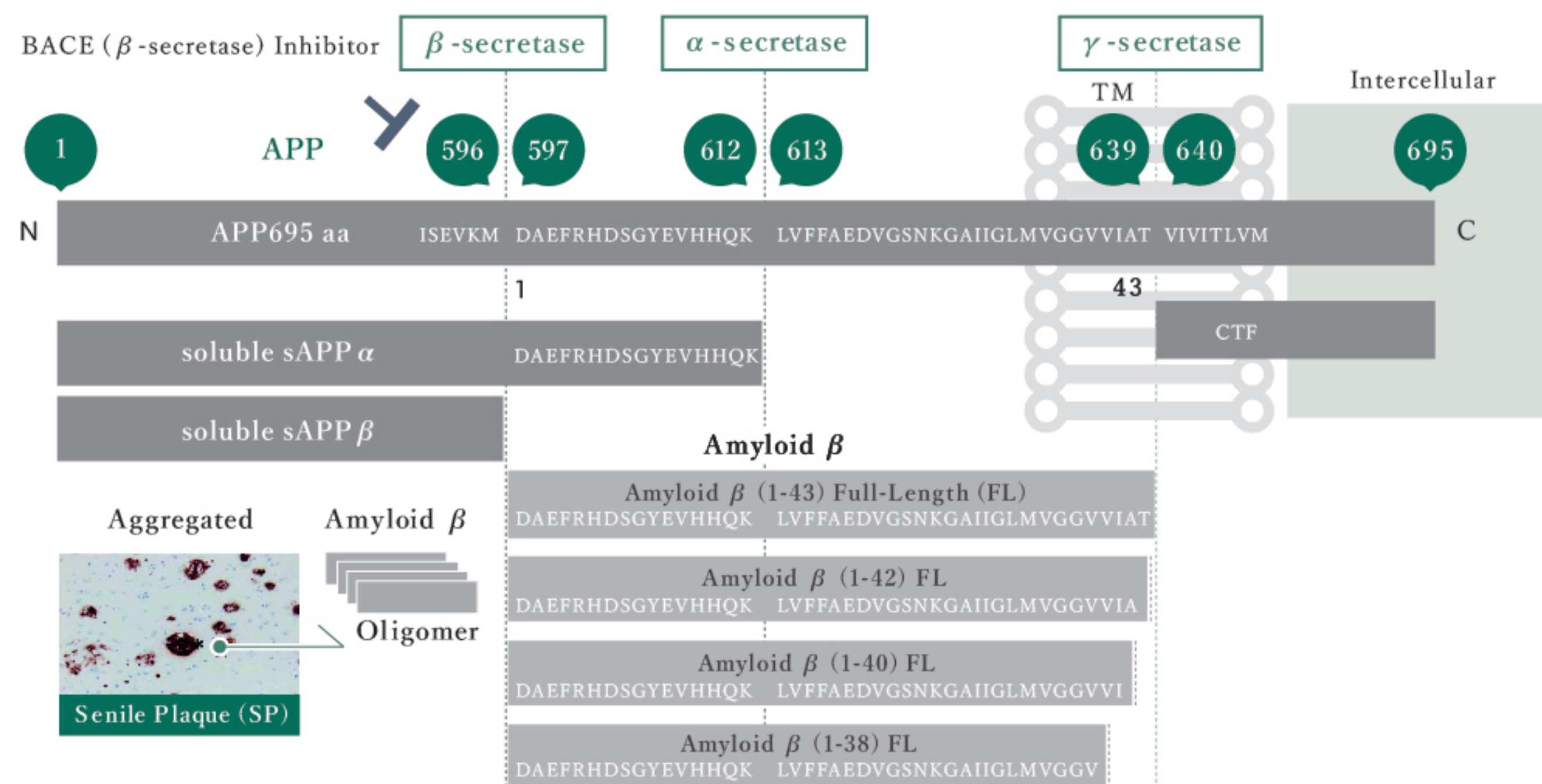
Antibody

- In-house Development & Control
- Select Sequence
  - Strive for Specificity
  - Production / QC

## APP / Amyloid $\beta$

Comprehensive  
Product  
Lineup

APP695 aa – Transmembrane (TM) protein / mainly expressed in neuron cell



### Amyloid $\beta$

- |                              |  |
|------------------------------|--|
| #27717 h_A $\beta$ (1-38) FL | #27418 h_A $\beta$ (N3pE-40)                 |
| #27718 h_A $\beta$ (1-40) FL | #27716 h_A $\beta$ (N3pE-42)                 |
| #27719 h_A $\beta$ (1-42) FL | #27709 h_A $\beta$ Toxic Oligomer            |
| #27710 h_A $\beta$ (1-43) FL | #27725 h_A $\beta$ Oligomers (82E1 specific) |
| #27713 h_A $\beta$ (X-40)    | #27720 m/r_A $\beta$ (1-40) High-Specific    |
| #27711 h_A $\beta$ (X-42)    | #27721 m/r_A $\beta$ (1-42)                  |
| #27729 h_A $\beta$ (1-X)     |  |

### APP

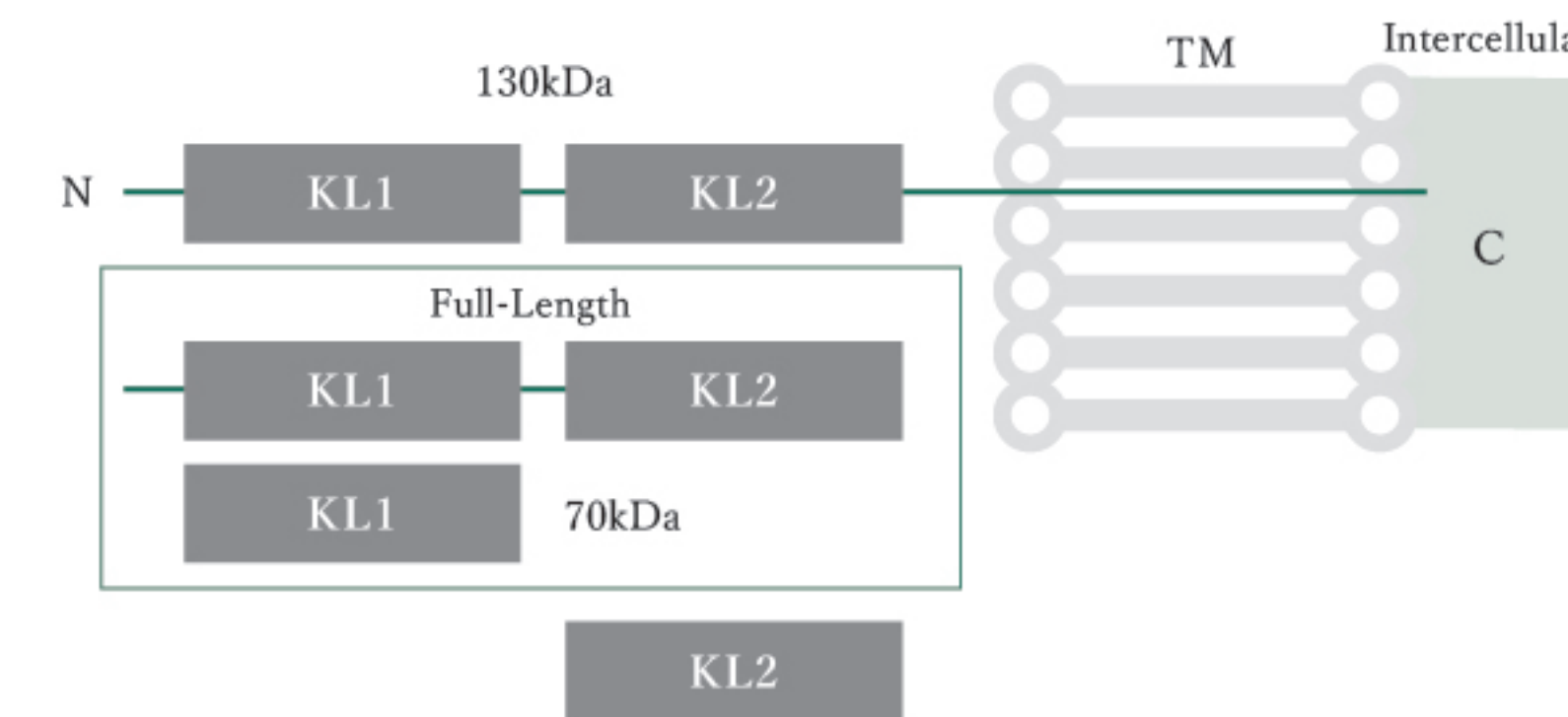
- |                                  |                                 |
|----------------------------------|---------------------------------|
| #27731 h_sAPP, Total (h.s.)      | #27736 h_APP770                 |
| #27734 h_sAPP $\alpha$ (h.s.)    | #27776 h_APP $\beta$ CTF        |
| #27732 h_sAPP $\beta$ -w (h.s.)  | #27419 m/r_sAPP $\alpha$ (h.s.) |
| #27733 h_sAPP $\beta$ -sw (h.s.) |                                 |

h: Human m: Mouse r: Rat m/r: Mouse/Rat FL: Full-Length h.s.: High-Sensitive

## $\alpha$ -Klotho

Best  
Selling

$\alpha$ -Klotho – Transmembrane (TM) protein / mainly expressed in kidneys and parathyroid glands



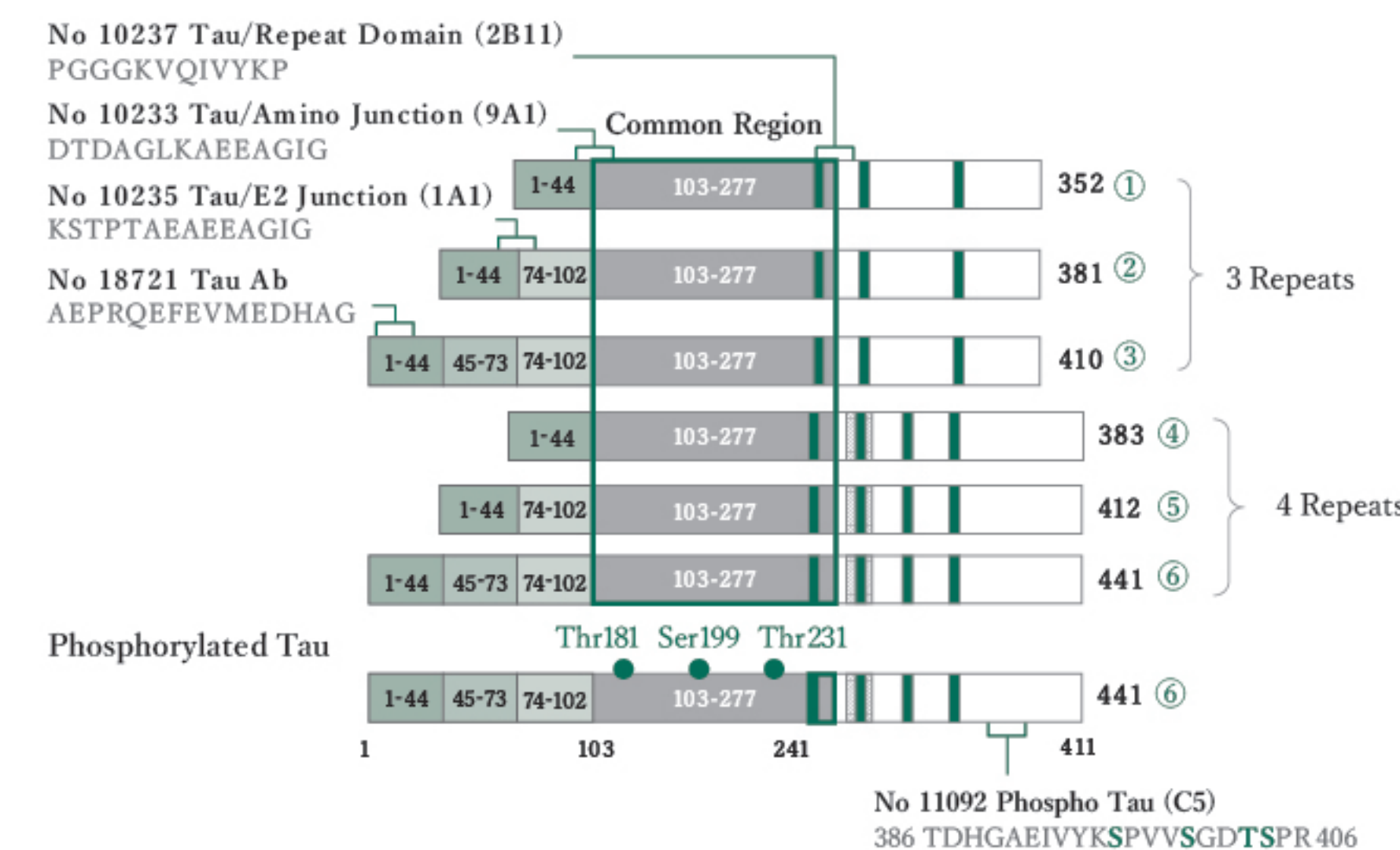
$\alpha$  (Alpha) -Klotho protein is a one-transmembrane protein (130 kDa) that expresses in kidneys and the parathyroid glands and it has an important role for regulating mineral metabolism. It is considered that early aging-like symptoms are induced in  $\alpha$ -Klotho knockout mice so it has also been focused on during research of Alzheimer's disease. #27998 Human soluble  $\alpha$ -Klotho specifically detects human soluble  $\alpha$ -Klotho, **KL1 and KL1+KL2**.

### $\alpha$ (Alpha) -Klotho

- #27998 h\_soluble  $\alpha$ -Klotho
- #27601 m\_soluble  $\alpha$ -Klotho

## Tau / Phosphorylated Tau

### Tau 6 Isoforms



**Tau** is a microtubule binding protein (50 ~ 70kDa) that expresses in nerve axons and it has an important role for regulating stability of microtubules in neurons.

Tau proteins consist of 6 isoforms that are produced by selective splicing as 3 repeats and 4 repeats Tau isoforms. #27811 Human Total Tau detects human total Tau (all tau isoforms) and #27812 Human Phospho Tau (181P) specifically detects human Tau that is phosphorylated threonine at position 181.

### Tau

- #27811 h\_Total Tau
- #27812 h\_Phospho Tau (181P)

### Other Products

- |                            |                     |                           |                                      |
|----------------------------|---------------------|---------------------------|--------------------------------------|
| <b>Fibulin-5 / DANCE</b>   | <b>Galectin-3</b>   | <b>LRG</b>                | <b><math>\alpha</math>-Synuclein</b> |
| #27121 h_Fibulin-5 / DANCE | #27755 h_Galectin-3 | #27769 h_LRG              | #27740 h_ $\alpha$ -Synuclein        |
|                            |                     | #27785 m_LRG              |                                      |
|                            |                     | #27770 r_LRG (On Request) |                                      |

etc.

All IBL ELISA and antibody products are research use only and they cannot be used for diagnostic or medical purposes.